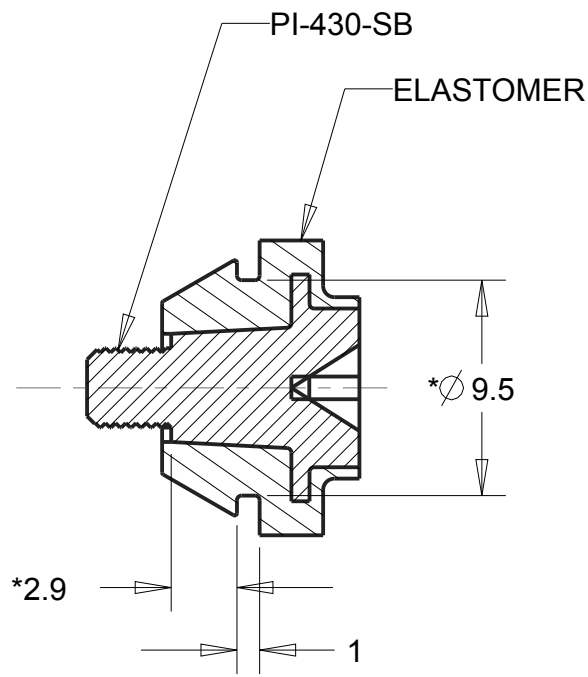
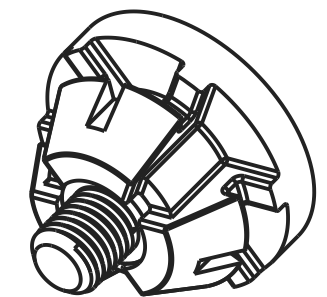
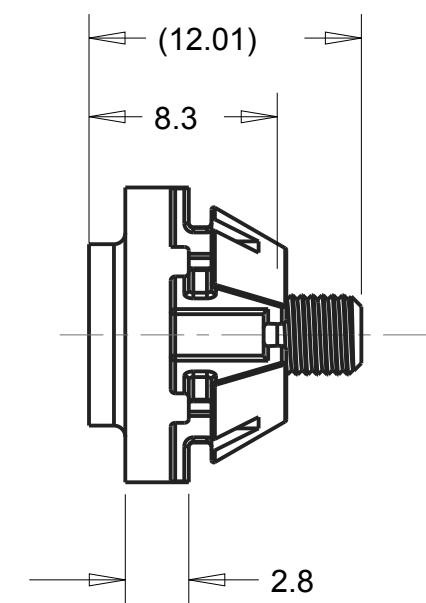
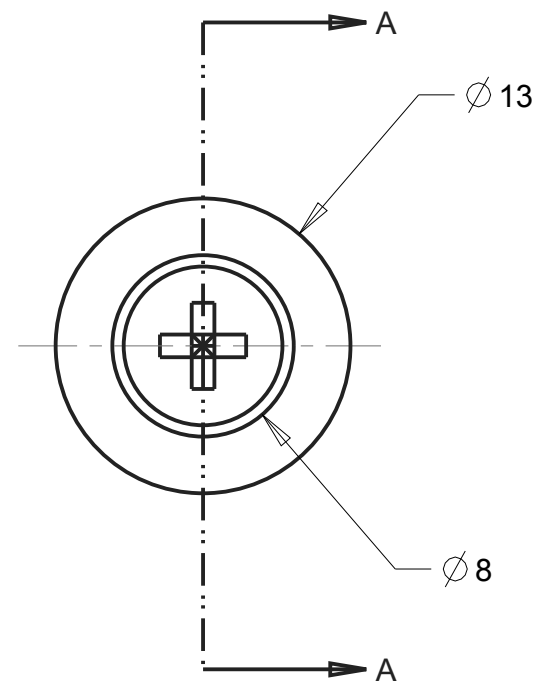




REVISIONS				
DRAWN	REV	DESCRIPTION	DATE	APPROVED
TC	00	PRODUCTION RELEASE	03-29-12	MS



SECTION A-A



- 4. USE THE TOLERANCE TABLE ON LEFT FOR ELASTOMER TOLERANCES
- 3. FOR SCREW: CRITICAL DIM TOLERANCES: $\pm 0.07\text{MM}$
FOR SCREW: ALL OTHER DIM TOLERANCES: $\pm 0.10\text{MM}$
- 2. FOR SCREW: Zn COATING, Cr6 FREE, ASTM B-117 (72 HOURS)
- 1. CRITICAL DIMENSIONS ARE MARKED WITH "***"

NOTES:

AVAILABLE MATERIALS TABLE	
PART NUMBER	MATERIAL
PI-430-C8130	C-8130
PI-430-C8002	C-8002
PI-430-C8012	C-8012
PI-430-C1002	C-1002

TOLERANCE TABLE	
RANGE	TOL
0<DIM<=2	± 0.15
2<DIM<=25	± 0.25
25<DIM<=50	± 0.4
50<DIM	± 0.6

UNLESS OTHERWISE SPECIFIED UNITS ARE: MM [IN] TOLERANCE FOR ANGLES: $\pm 1.0^\circ$	MATERIAL: SEE AVAILABLE MATERIALS TABLE ON LEFT	AEARO TECHNOLOGIES LLC * a 3M company		
	ALLOWABLE FLASH: 0.12MM	QUALITY CONTROL: MUST COMPLY WITH E-A-R SPECIALTY COMPOSITES SUPPLIER QUALITY MANUAL REQUIREMENTS	TITLE HDD PLUG GROMMET	
GATE: $\pm 0.15\text{MM}$	NOTES: ANY FEATURE NOT DIMENSIONED IN PRINT MUST BE VISIBLY PRESENT, UTILIZE 3D CAD FOR CREATION	SIZE B	DRAWING NO. PI-430-X	PAGE NO. 1 OF 1